

JACK

China No.1



Electronic Lockstitch Buttonholing



JK-T1790B



Jack Wechat



Jack Sewing
Machine Co.,Ltd.

Jack Sewing Machines UK

Web: www.jacksewingmachines.co.uk
Email: info@jacksewingmachines.co.uk

JK-T1790B

JK-T1790B is driven by AC servo motor, with features such as low vibration, low noise, high efficiency and excellent sewing quality, which makes the machine capable for various kinds of knitting and woven fabrics such as shirt, T-shirt, and uniform.



Advantages



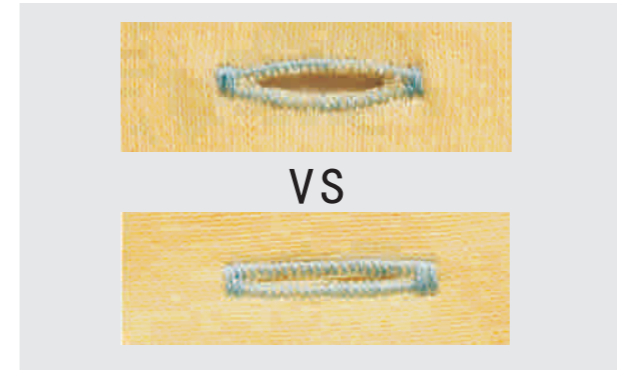
1 Patterns are Easy to Update

Max. 200 patterns can be saved on the operation panel. New patterns set up and patterns update can be realized easily by USB port.



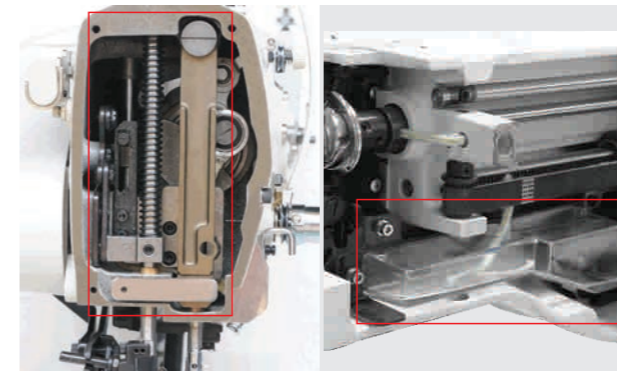
2 Intelligent System, High Efficiency

Automatic trimmer and automatic presser foot lifter, increase efficiency.



3 Basting Stitch Function, Beautiful Stitch

Especially use for elastic fabric, basting stitch and buttonholing can complete at the same time.



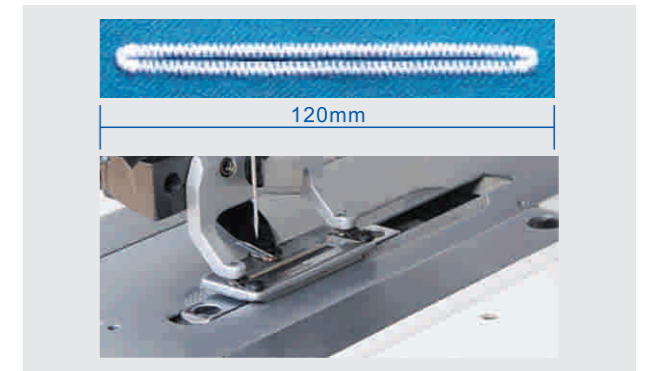
5 Dry-Head System, Clean Sewing

Advanced oil free structure makes all operation clean and working smoothly.



4 Cooling System, Long Durability










The cooling fan greatly decreases the temperature of motor, lengthen the lifetime of machine.



6 Multi-Cutting Function, Perfect for Different Holing Size

Different button holing size (JK-T1790B max. 120mm) can be operated without changing the cutting knife.

Technical Parameters

		 (mm)						 (mm)	 (S.p.m)	 (mm)	 NW/GW (kg)
JK-T1790BS-1	25×4	DPX5 12#	1	1/4"~3/4"	2	0.2~2.5	220V	17	4200	780×390×830	56/77
JK-T1790BS-2	35×5	DPX5 12#	1	1/4"~1"	2	0.2~2.5	220V	17	4200	780×390×830	56/77
JK-T1790BS-3	41×5	DPX5 12#	1	1/4"~1 1/4"	2	0.2~2.5	220V	17	4200	780×390×830	56/77
JK-T1791BS	70×5	DPX5 12#	1	1/4"~1 1/4"	2	0.2~2.5	220V	17	4200	780×390×830	56/77
JK-T1792BS	120×5	DPX5 12#	1	1/4"~1 1/4"	2	0.2~2.5	220V	17	4200	780×390×830	56/77
JK-T1790BK-1	25×4	DPX5KN 11#	1	1/4"~3/4"	2	0.2~2.5	220V	17	4200	780×390×830	56/77
JK-T1790BK-2	35×5	DPX5KN 11#	1	1/4"~1"	2	0.2~2.5	220V	17	4200	780×390×830	56/77
JK-T1790BK-3	41×5	DPX5KN 11#	1	1/4"~1 1/4"	2	0.2~2.5	220V	17	4200	780×390×830	56/77
JK-T1791BK	70×5	DPX5KN 11#	1	1/4"~1 1/4"	2	0.2~2.5	220V	17	4200	780×390×830	56/77
JK-T1792BK	120×5	DPX5KN 11#	1	1/4"~1 1/4"	2	0.2~2.5	220V	17	4200	780×390×830	56/77

"K" is for knitting fabrics
"S" is for woven fabrics