

Excellence in seaming



## 335

Cylinder-bed sewing machine  
for industry and handcraft

# 335

Universal cylinder-bed machine for use in:  
Small leather goods, leather garments, upholstery, shoes, etc.

## Areas of Application:

- Working on tubular or pre-attached articles
- Standard sewing work on leather wear, bags and leathercraft articles
- Binding of shoes and leather wear with leather-, imitation leather- or textile tape
- Piping work on bags, suitcases and upholstery



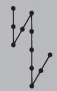
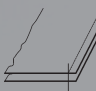
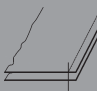
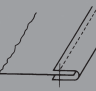
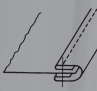
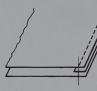
## Features:

- Very good feeding properties due to the unison feed
- Excellent sewing quality with high performance and sewing reliability
- Precise and consistent stitch setting at large spectrum of materials/fabrics
- Very neat bindings, even inside and outside curves, thanks to the moving binder and tape is held close to the binding edge (subclass -17/01)
- Version 335-G: Fewer bobbin changes due to the large hook (40% more bobbin capacity)
- Rugged and durable machine construction - Easy to maintain machine concept
- The high top feed lift (7 mm) allows trouble-free sewing of thick materials and an easy sewing over cross seams
- Easy loading and unloading – even of bulky material – due to a high fabric clearance of 14 mm
- Distance of the front edge of the cylinder arm to the needle: 9 mm - Cylinder arm diameter: 51 mm
- Option: Edge guide (no. 09-009 854-86)



PFAFF

**Versions:**

Type	Model								
		-900/52	-911/97**		-2/27	-6/01	-17/01-650/03	-39/21*	-40/64*
<b>335</b>	B				x	x	x	x*	x*
<b>335</b>	B	●	●	●	x	x	x	x*	x*

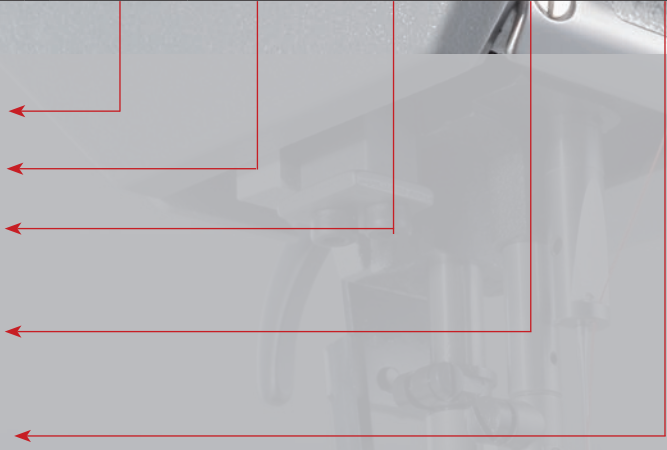
For portfolio work. A smaller version of the kit (part set is smooth). Ruler mounted on the forearm.

For general sewing. Standard form of the kit.

For binding operations, 90 ° tape feeder, attachment on swing-mounted carrier mounted (without binder).

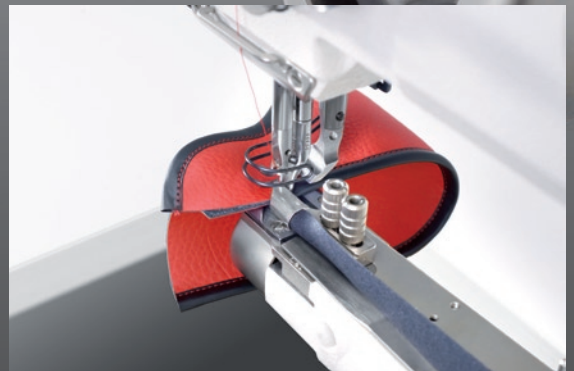
For binding operations, both edges folded in, 90 ° tape feeder, attachment on swing-away carrier mounted.

Sewing in piping between two material plies, piping guide retractable, attachment fixed. Available as N 2.5 (stitch length max. 2.5 mm) or for max. stitch length of 4.5 mm.



**Remarks:**

- x Selectable sub-class
- \* Sub-class has to be ordered separately (Sample and fabric are required)
- \*\* with air filter/regulator for pneumatic devices (-925/03)



## Specifications:

**Stitchtype:**

301 (lockstitch)

**Max. sewing speed:**

2800/s.p.m.

**Max. stitch length:**

6 mm (N)

**Model:** B**Clearance under the sewing foot:**

max. 14 mm

**Top feed stroke:**

7 mm

**Clear work space:**

265 mm

**Clear work height:**

115 mm

**Cylinder bed dia:**

51 mm

**Cylinder bed circumf.:**

approx. 165 mm

**Needle system:**

134-35

**Needle thickness:**

80-100

**Thread type:**

synth. 40/3

**Balance wheel eff. dia:**

80 mm

**Working air pressure:**

6 bar

**Net weight (head):**

approx. 32 kg

**Net weight (head in carton):**

approx. 40 kg

**PFAFF Industriesysteme  
und Maschinen GmbH**

Hans-Geiger-Str. 12 – IG Nord

D-67661 Kaiserslautern

Telefon: +49-6301/3205-0

Telefax: +49-6301/3205-3171

E-mail: [info@pfaff-industrial.com](mailto:info@pfaff-industrial.com)

Website: [www.pfaff-industrial.com](http://www.pfaff-industrial.com)