

NO : 8910NA01

金輪牌工業用縫紉機

GOLDEN WHEEL INDUSTRIAL SEWING MACHINE

零件分解圖

PARTS BOOK

MODEL: CS-8910NL
CS-8910NM

啓翔股份有限公司
CHEE SIANG INDUSTRIAL CO., LTD.

MODEL : CS-8910N

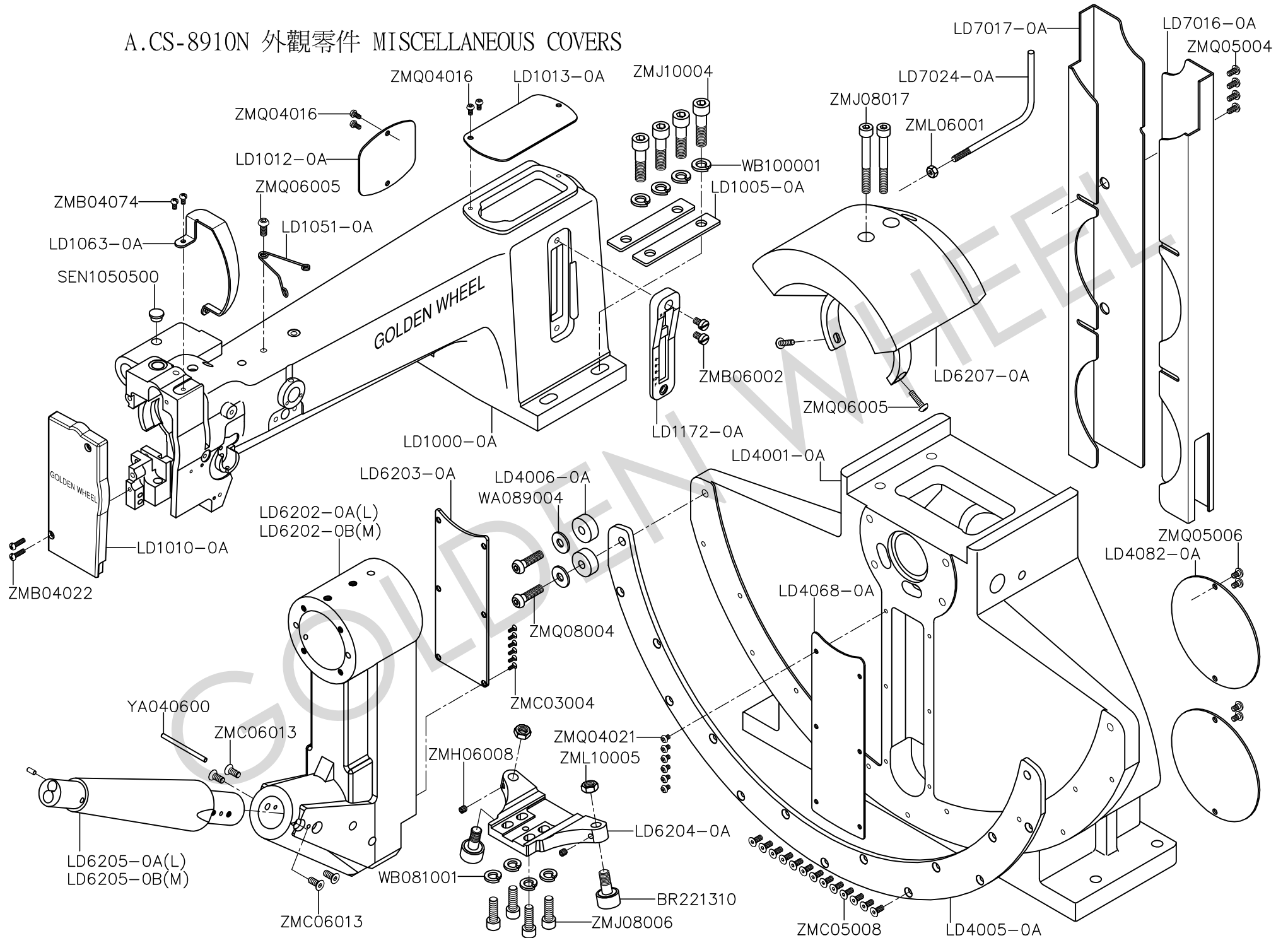
索引	INDEX	PAGE
A、外觀零件	MISCELLANEOUS COVERS	2-3
B、上軸機構	UPPER SHAFT MECHANISM	4-5
C、針棒座. 天秤機構	NEEDLE BAR FRAME & THREAD TAKE-UP MECHANISM	6-7
D、縫線壓力調整機構	THREAD TENSION REGULATION MECHANISM	8-9
E、押腳機構	PRESSER LIFT MECHANISM	10-11
F、搖臂軸機構	SWINGING SHAFT MECHANISM	12-13
G、梭頭定位機構	HOOK POSITIONING MECHANISM	14-15
H、腳架組件	STAND COMPONENTS	16-17
I、附件	ACCESSORIES	18-19
J、零件號碼與頁數對照表	NUMERICAL PARTS-LIST	20-22

專用件標記說明

Exclusive Parts Identification Symbols

- (L) CS-8910NL
- (M) CS-8910NM

A.CS-8910N 外觀零件 MISCELLANEOUS COVERS



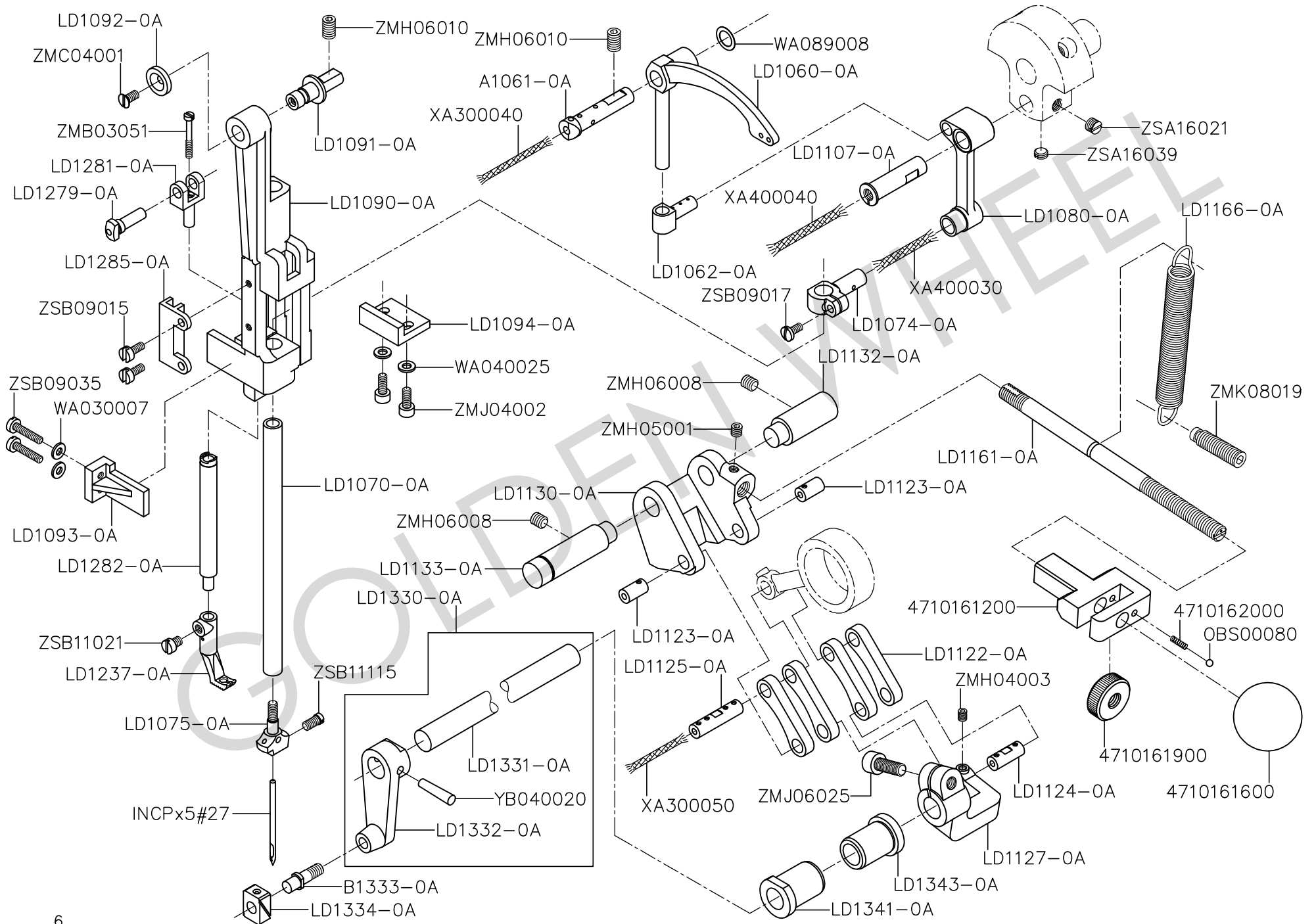
A. CS-8910N 外觀零件 MISCELLANEOUS COVERS

零件號碼 Part No.	零件名稱	Name of Part	件數 Q'TY	零件號碼 Part No.	零件名稱	Name of Part	件數 Q'TY	備註 Remarks
BR221310	帶柄軸承	Roller Bearing	2	WA089004	墊圈	Washer	2	
LD1000-0A	車頭	Arm	1	WB081001	彈簧墊圈	Sprig Washer	4	
LD1005-0A	車頭墊片	Arm Spacer	1	WB100001	彈簧墊圈	Sprig Washer	4	
LD1010-0A	面板蓋	Face Plate Cover	1	YA040600	銷	Pin	1	
LD1012-0A	後蓋板	Back Cover	1	ZMB04022	螺絲	Screw (M4-0.7x15)	2	
LD1013-0A	上蓋板	Top Cover	1	ZMB04074	螺絲	Screw (M4-0.7x8)	2	
LD1051-0A	線掛	Thread Guide	1	ZMB06002	螺絲	Screw (M6-1.0x10)	2	
LD1063-0A	天秤蓋	Thread Take-up Cover	1	ZMC03004	螺絲	Screw (M3-0.5x6)	6	
LD1172-0A	刻度板	Graduation Plate	1	ZMC05008	螺絲	Screw (M5-0.8x12)	13	
LD4001-0A	基座	Machine Base	1	ZMC06013	螺絲	Screw (M6-1.0x14)	4	
LD4005-0A	滾輪導軌	Roller Rail	1	ZMH06008	螺絲	Screw (M6-1.0x6)	2	
LD4006-0A	緩衝墊	Rubber Cushion	2	ZMJ08006	螺絲	Screw (M8-1.25x25)	4	
LD4068-0A	底座前蓋板	Base Front Cover	1	ZMJ08017	螺絲	Screw (M8-1.25x70)	2	
LD4082-0A	底座後蓋板	Base Back Cover	1	ZMJ10004	螺絲	Screw (M10-1.5x40)	4	
LD6202-0A	旋轉臂	Swing Arm	1	ZML06001	螺帽	Nut	1	
LD6202-0B	銷孔套管	Bushing	2	ZML10005	螺帽	Nut	2	
LD6203-0A	搖臂蓋板	Swing Arm Cover	1	ZMQ04016	螺絲	Screw (M4-0.7x8)	4	
LD6204-0A	搖臂滾輪座	Roller Bracket	1	ZMQ04021	螺絲	Screw (M4-0.7x6)	6	
LD6205-0A	旋轉柄	Swing Handle	1	ZMQ05004	螺絲	Screw (M5-0.8x10)	4	
LD6205-0B	旋轉柄	Swing Handle	1	ZMQ05006	螺絲	Screw (M5-0.8x8)	2	
LD6207-0A	配重塊組	Counterweight Asm.	1	ZMQ06005	螺絲	Screw (M6-1.0x14)	3	
LD7016-0A	皮帶蓋(左)	Belt Cover (Left)	1	ZMQ08004	螺絲	Screw (M8-1.25x30)	2	
LD7017-0A	皮帶蓋(右)	Belt Cover (Right)	1					
LD7024-0A	定位棒	Positioning Bar	1					
SEN1050500	橡膠塞	Rubber Plug	1					

B. CS-8910N 上軸機構 UPPER SHAFT MECHANISM

零件號碼 Part No.	零件名稱 Name of Part	件數 Q'TY	零件號碼 Part No.	零件名稱 Name of Part	件數 Q'TY	備註 Remarks
A1130-0A	油棉固定彈簧 --- Spring -----	1	LD1820-0A	皮帶輪軸套 --- Pulley Bushing -----	1	
BB6003ZZ	軸承 ----- Bearing -----	1	LD1821-0A	皮帶輪墊片(一) Disk (1) -----	1	
BB6003ZZNR	軸承 ----- Bearing -----	1	LD1822-0A	皮帶輪墊片(二) Disk (2) -----	2	
BB6004ZZNR	軸承 ----- Bearing -----	1	LD1823-0A	皮帶輪墊片(三) Disk (3) -----	2	
BB6203ZZNR	軸承 ----- Bearing -----	1	LD1825-0A	調整螺帽 ----- Adjusting Nut-----	1	
BN252913	滾針軸承 ----- Needle Bearing -----	1	RB200200	C扣環 ----- C-Ring -----	2	
LD1100-0A	上軸 ----- Upper Shaft -----	1	RB200250	C扣環 ----- C-Ring -----	1	
LD1102-0A	上軸中套管 ----- Upper Shaft Bushing (Middle) -----	1	WC280001	盤形墊圈 ----- Washer -----	3	
LD1103-0A	上軸套管 ----- Upper Shaft Bushing -----	1	WH225001	墊圈 ----- Washer -----	1	
LD1105-0A	手輪 ----- Hand Wheel -----	1	XB206003	油棉 ----- Felt -----	1	
LD1106-0A	平衡凸輪 ----- Crank Cam -----	1	YA080300A	銷 ----- Pin -----	1	
LD1116-0A	送料偏心輪 ----- Feed Eccentric -----	1	ZMA07001	螺絲 ----- Screw (M7-1.0x16.5) -----	1	
LD1121-0A	送料驅動連桿 --- Feed Driving Link -----	1	ZMB07001	螺絲 ----- Screw (M7-1.0x21) -----	1	
LD1297-0A	連桿 ----- Connector -----	1	ZMH04003	螺絲 ----- Screw (M4-0.7x5) -----	1	
LD1298-0A	上下交換偏心輪 Up-down Alternating Eccentric	1	ZMH06002	螺絲 ----- Screw (M6-1.0x7.5) -----	10	
LD1319-0A	皮帶輪微調座 --- Pulley Adjusting Base -----	1	ZMH06005	螺絲 ----- Screw (M6-1.0x12) -----	1	
LD1320-0A	上軸皮帶輪 ----- Upper Shaft Pulley -----	1	ZMH08004	螺絲 ----- Screw (M8-1.25x16) -----	2	
LD1322-0A	齒形皮帶輪 ----- Timing Belt Pulley -----	1	ZMH08006	螺絲 ----- Screw (M8-1.25x) -----	2	
LD1488-0A	鬆線凸輪 ----- Tension Releasing Cam -----	1				

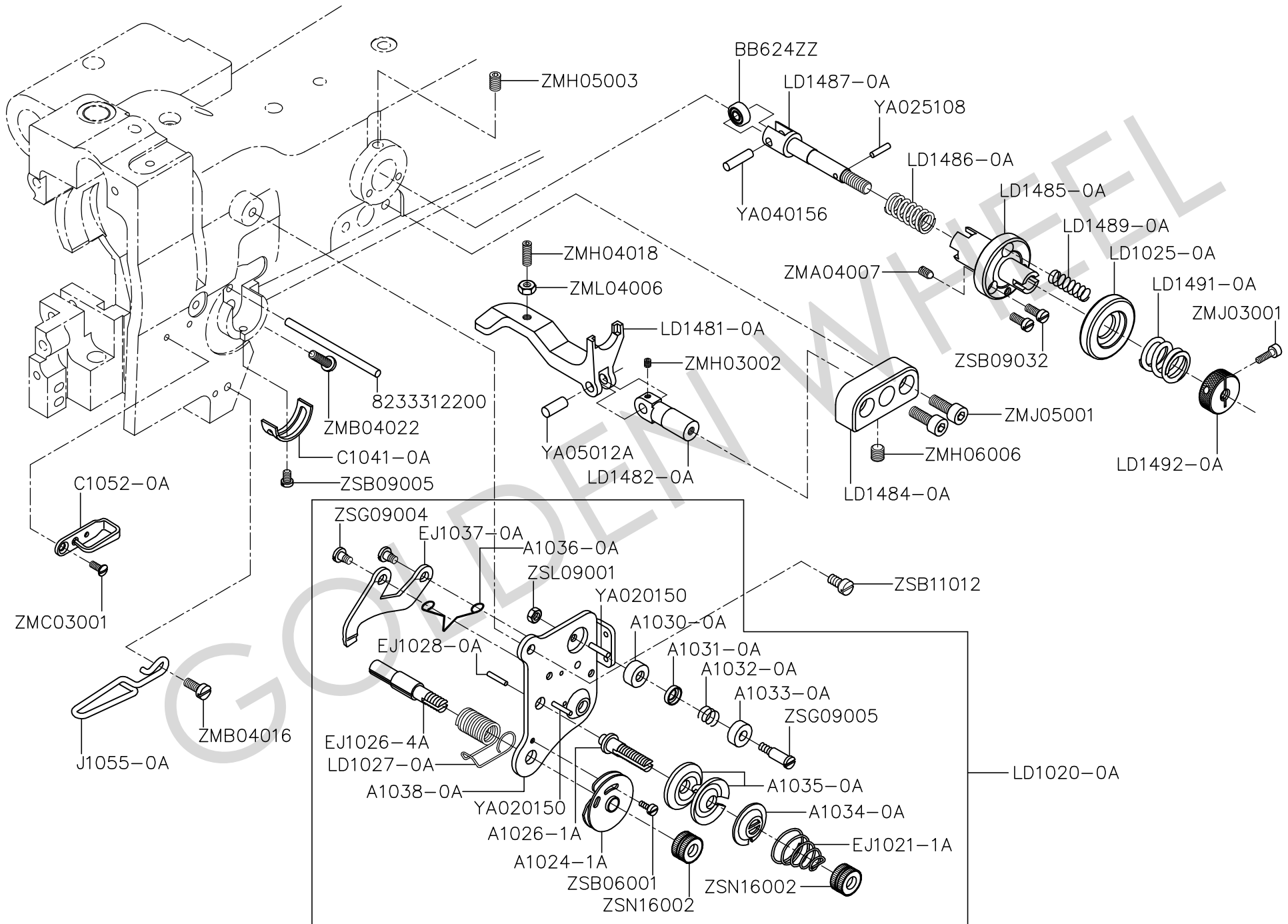
C.CS-8910N 針棒座.天秤機構 NEEDLE BAR FRAME & THREAD TAKE-UP MECHANISM



C. CS-8910N 針棒座. 天秤機構 NEEDLE BAR FRAME & THREAD TAKE-UP MECHANISM

零件號碼 Part No.	零件名稱	Name of Part	件數 Q'TY	零件號碼 Part No.	零件名稱	Name of Part	件數 Q'TY	備註 Remarks
4710161200	倒針槓桿	Stitch Lever	1	LD1285-0A	內押腳導槽	Walking Presser Guide	1	
4710161600	調節槓握	Lever Grip	1	LD1330-0A	針棒座搖動軸組	Needle Bar Frame Shaft Asm	1	
4710161900	螺帽	Nut	1	LD1331-0A	針棒座搖桿軸	Needle Bar Frame Shaft	1	
4710162000	壓縮彈簧	Spring	1	LD1332-0A	針棒座搖動臂	Needle Bar Frame Arm	1	
A1061-0A	天秤心	Take-up Lever Support Stud	1	LD1334-0A	針棒座擺動滑塊	Needle Bar Frame Guiding Block	1	
B1333-0A	針棒擺動滑塊軸	Needle Bar Rock Frame Slide Block	1	LD1341-0A	針棒搖動軸套管(前)	Needle Bar Frame Shaft Bushing	1	
INCPx5#27	針	Needle	1	LD1343-0A	針棒搖動軸套管(後)	Needle Bar Frame Shaft Bushing	1	
LD1060-0A	天秤	Thread Take-up Lever	1	OBS00080	鋼球	Ball	1	
LD1062-0A	天秤滑塊	Take-up Slide Block	1	WA030007	墊片	Washer	2	
LD1070-0A	針棒	Needle Bar	1	WA040025	墊片	Washer	2	
LD1074-0A	針棒固定軸	Needle Bar Holder	1	WA089008	墊片	Washer	1	
LD1075-0A	針鉗	Needle Clamp	1	XA300040	油線	Oil Wick	1	
LD1080-0A	針棒連桿	Needle Bar Link	1	XA300050	油線	Oil Wick	1	
LD1090-0A	針棒座	Needle Bar Frame	1	XA400030	油線	Oil Wick	1	
LD1091-0A	針棒座支軸	Needle Bar Frame Shaft	1	XA400040	油線	Oil Wick	1	
LD1092-0A	針棒座支軸端蓋	Needle Bar Frame Shaft Cover	1	YB040020	推拔銷	Tapered Pin	1	
LD1093-0A	針棒座導板(左)	Needle Bar Frame Guide Plate (Left)	1	ZMB03051	螺絲	Screw (M3-0.5x22.5)	1	
LD1094-0A	針棒座導板(右)	Needle Bar Frame Guide Plate (Right)	1	ZMC04001	螺絲	Screw (M4-0.7x8.5)	1	
LD1107-0A	曲柄軸	Crank Shaft	1	ZMH04003	螺絲	Screw (M4-0.7x5)	1	
LD1122-0A	差動鍊板	Differential Plate	4	ZMH05001	螺絲	Screw (M5-0.8x5)	1	
LD1123-0A	差動擺臂銷	Differential Drive Link Pin	2	ZMH06008	螺絲	Screw (M6-1.0x6)	2	
LD1124-0A	差動鍊板銷	Differential Drive Link Pin	1	ZMH06010	螺絲	Screw (M6-1.0x10)	2	
LD1125-0A	差動鍊板銷	Differential Drive Link Pin	1	ZMJ04002	螺絲	Screw (M4-0.7x10)	2	
LD1127-0A	送料驅動腕	Feed Lever	1	ZMJ06025	螺絲	Screw (M6-1.0x16)	1	
LD1130-0A	針距變動腕	Feed Regulating Lever	1	ZMK08019	螺絲	Screw (M8-1.25x30)	1	
LD1132-0A	差動腕支軸(右)	Differential Arm Shaft (Right)	1	ZSA16021	螺絲	Screw (1/4-28x5)	1	
LD1133-0A	差動腕支軸(左)	Differential Arm Shaft (Left)	1	ZSA16039	螺絲	Screw (1/4-28x2.5)	1	
LD1161-0A	倒縫桿	Reverse Stitch Lever	1	ZSB09015	螺絲	Screw (9/64-40x9)	2	
LD1166-0A	拉伸彈簧	Tension Spring	1	ZSB09017	螺絲	Screw (9/64-40x8)	1	
LD1237-0A	內押腳	Walking Presser	1	ZSB09035	螺絲	Screw (9-64-40x17)	2	
LD1279-0A	內押腳連桿銷	Walking Presser Link Pin	1	ZSB11021	螺絲	Screw (11-64-40x5.5)	1	
LD1281-0A	內押腳軸架	Walking Presser Bar Holder	1	ZSB11115	螺絲	Screw (11/64-40x8)	1	
LD1282-0A	押腳棒	Presser Bar	1					

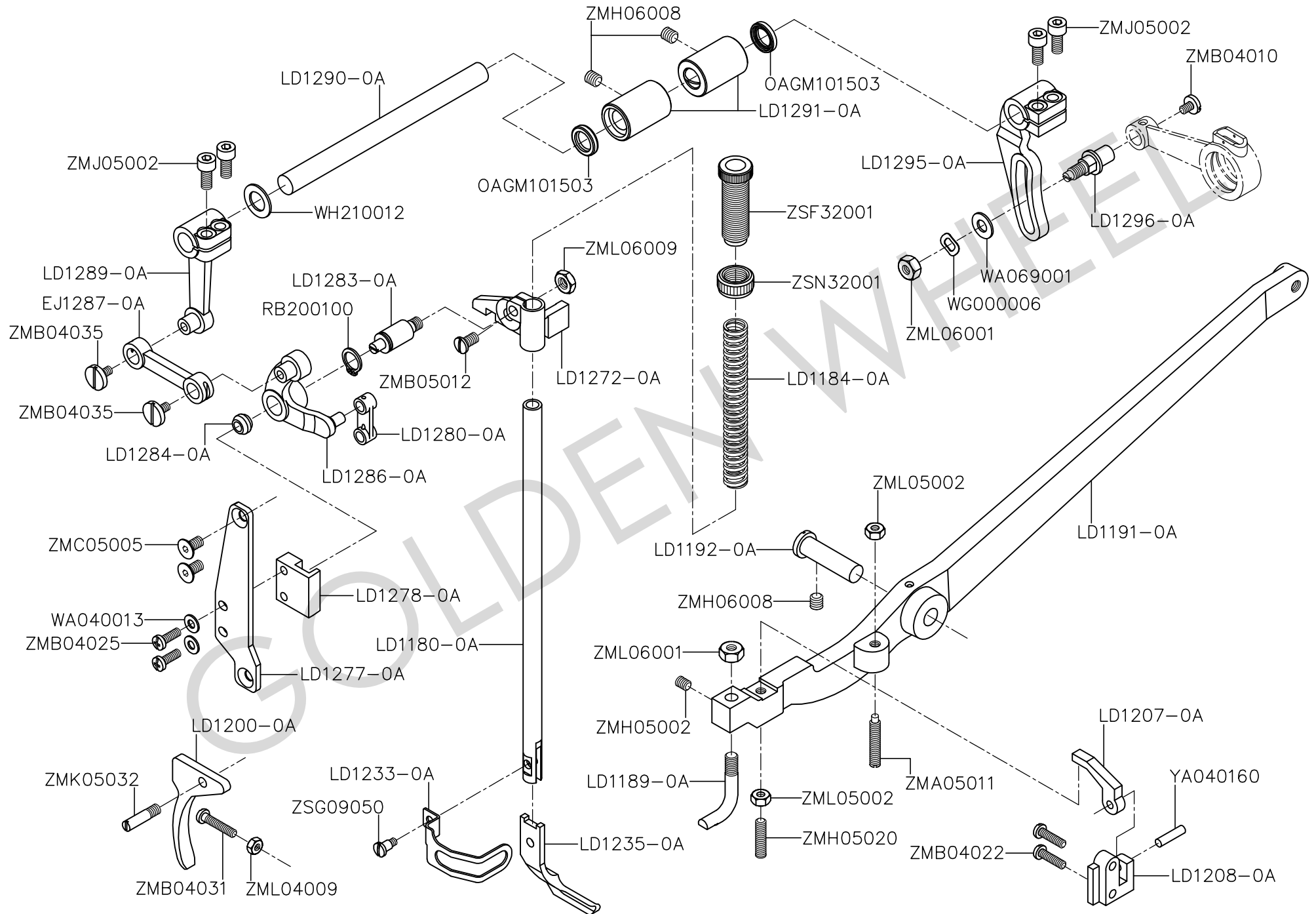
D.CS-8910N 縫線壓力調整機構 THREAD TENSION REGULATING MECHANISM



D. CS-8910N 縫線壓力調整機構 THREAD TENSION REGULATION MECHANISM

零件號碼 Part No.	零件名稱	Name of Part	件數 Q'TY	零件號碼 Part No.	零件名稱	Name of Part	件數 Q'TY	備註 Remarks
8233312200	鬆線銷-----	Tension Releasing Pin -----	1	LD1487-0A	滾輪導柱 -----	Roller Driven Shaft -----	1	
A1024-1A	天秤線掛組 -----	Thread Take-Up Guide Asm. -----	1	LD1489-0A	鬆線彈簧 -----	Tension Releasing Spring -----	1	
A1026-1A	壓力調節螺絲棒	Thread Tension Stud -----	1	LD1491-0A	壓線盤彈簧 ----	Tension Disc Spring -----	1	
A1030-0A	過線孔台 -----	Thread Guide Bracket -----	1	LD1492-0A	調整螺母 -----	Lock Nut-----	1	
A1031-0A	過線孔圓盤 -----	Thread Guide Disc -----	1	YA020150	銷 -----	Pin -----	2	
A1032-0A	壓力彈簧 -----	Thread Tension Spring -----	1	YA025108	銷 -----	Pin -----	1	
A1033-0A	過線孔內蓋 -----	Controller Cover -----	1	YA040156	銷 -----	Pin -----	1	
A1034-0A	壓力調整器壓盤	Tension Regulator Presser Disc -----	1	YA05012A	銷 -----	Pin -----	1	
A1035-0A	壓力盤 -----	Tension Disc -----	2	ZMA04007	螺絲 -----	Screw (M4-0.7x7.5) -----	1	
A1036-0A	壓板彈簧 -----	Tension Releasing Spring -----	1	ZMB04016	螺絲 -----	Screw (M4-0.7x10) -----	1	
A1038-0A	上線壓力板 -----	Upper Thread Tension Plate -----	1	ZMB04022	螺絲 -----	Screw (M4-0.7x15) -----	1	
BB624ZZ	軸承 -----	Bearing -----	1	ZMC03001	螺絲 -----	Screw (M3-0.5x8.5) -----	1	
C1041-0A	吊線彈簧擋板 --	Spring Rest Plate -----	1	ZMH03002	螺絲 -----	Screw (M3-0.5x3) -----	1	
C1052-0A	線卦 -----	Thread Guide -----	1	ZMH04018	螺絲 -----	Screw (M4-0.7x12) -----	1	
EJ1021-1A	調整彈簧 -----	Tension Spring -----	1	ZMH05003	螺絲 -----	Screw (M5-0.8x8) -----	1	
EJ1026-4A	調整螺絲桿 -----	Thread Tension Stud -----	1	ZMH06006	螺絲 -----	Screw (M6-1.0x6) -----	1	
EJ1028-0A	鬆線銷 -----	Tension Releasing Pin -----	1	ZMJ03001	螺絲 -----	Screw (M3-0.5x10) -----	1	
EJ1037-0A	彈簧板 -----	Tension Releasing Plate -----	1	ZMJ05001	螺絲 -----	Screw (M5-0.8x14) -----	2	
J1055-0A	線卦 -----	Thread Guide -----	1	ZML04006	螺帽 -----	Nut -----	1	
LD1020-0A	上線張力調整組	Thread Tension Regulator Asm. -----	1	ZSB06001	螺絲 -----	Screw (3/32-56x) -----	1	
LD1025-0A	壓線盤 -----	Tension Disc -----	1	ZSB09005	螺絲 -----	Screw (9/64-40x5) -----	1	
LD1027-0A	吊線彈簧 -----	Thread take-up Spring -----	1	ZSB09032	螺絲 -----	Screw (9/64-40x8.5) -----	2	
LD1481-0A	鬆線桿 -----	Tension Releasing Stud -----	1	ZSB11012	螺絲 -----	Screw (11/64-40x8) -----	1	
LD1482-0A	鬆線桿支撐軸 ---	Tension Releasing Stud Shaft -----	1	ZSG09004	螺絲 -----	Screw (9/64-40x2.5) -----	2	
LD1484-0A	鬆線軸固定座 ---	Tension Releasing Shaft Bracket -----	1	ZSG09005	螺絲 -----	Screw (9/64-40x7) -----	1	
LD1485-0A	壓線盤調整座 ---	Tension Disc Bracket -----	1	ZSL09001	螺帽 -----	Nut -----	1	
LD1486-0A	壓縮彈簧 -----	Thread Tension spring -----	1	ZSN16002	螺帽 -----	Nut -----	1	

E.CS-8910N 押腳機構 PRESSER LIFT MECHANISM



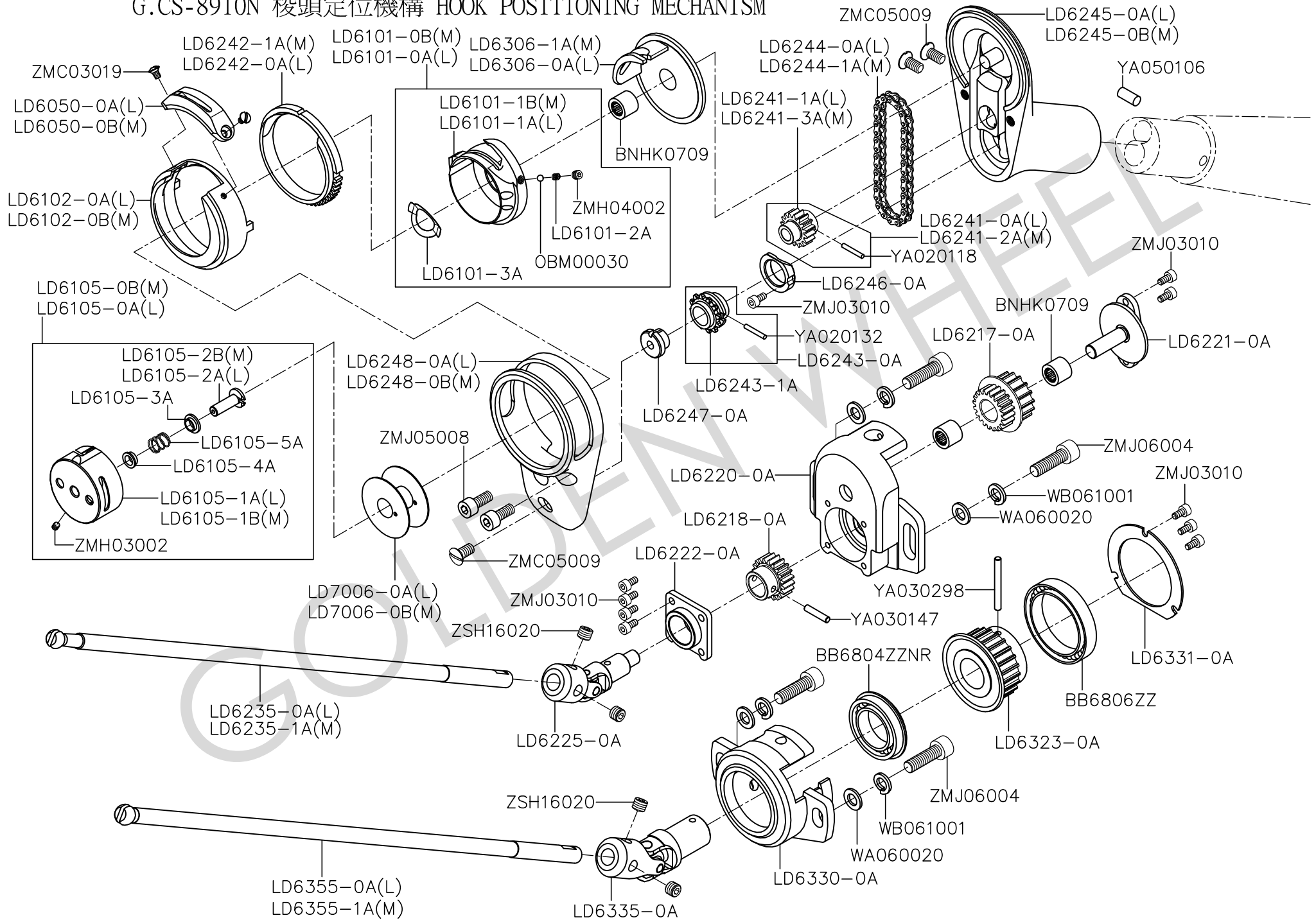
E. CS-8910N 押腳機構 PRESSER LIFT MECHANISM

零件號碼 Part No.	零件名稱 Name of Part	件數 Q'TY	零件號碼 Part No.	零件名稱 Name of Part	件數 Q'TY	備註 Remarks
EJ1287-0A	舉升搖軸連桿 --- Feed Lifting Rock Shaft Link -----	1	WA040013	平墊圈 ----- Washer -----	2	
LD1180-0A	壓腳棒 ----- Presser Bar -----	1	WA069001	平墊圈 ----- Washer -----	1	
LD1184-0A	壓腳彈簧 ----- Presser Spring -----	1	WG000006	墊圈 ----- Washer -----	1	
LD1189-0A	壓棒提桿 ----- Presser Bar Lifter -----	1	WH210012	墊圈 ----- Washer -----	1	
LD1191-0A	壓腳提升桿 ----- Presser foot Lifter -----	1	YA040160	銷 ----- Pin -----	1	
LD1192-0A	壓棒提桿銷 ----- Presser Lifter Pin -----	1	ZMA05011	螺絲 ----- Screw (M5-0.8x28) -----	1	
LD1200-0A	壓腳提桿 ----- Presser Foot Lifter -----	1	ZMB04010	螺絲 ----- Screw (M4-0.7x6) -----	1	
LD1207-0A	鬆線推桿 ----- Tension Release Lever -----	1	ZMB04022	螺絲 ----- Screw (M4-0.7x15) -----	2	
LD1208-0A	壓棒座導板 ----- Presser Bar Guide -----	1	ZMB04025	螺絲 ----- Screw (M4-0.7x12) -----	2	
LD1233-0A	護手環 ----- Finger Guard -----	1	ZMB04031	螺絲 ----- Screw (M4-0.7x20) -----	1	
LD1235-0A	外壓腳 ----- Outer Presser Foot -----	1	ZMB04035	螺絲 ----- Screw (M4-0.7x8) -----	2	
LD1272-0A	壓棒升降座 ----- Presser Bar Bracket -----	1	ZMB05012	螺絲 ----- Screw (M5-0.8x9) -----	1	
LD1277-0A	導槽固定板 ----- Bracket Plate -----	1	ZMC05005	螺絲 ----- Screw (M5-0.8x10) -----	2	
LD1278-0A	滾輪導槽 ----- Roller Guide -----	1	ZMH05002	螺絲 ----- Screw (M5-0.8x6) -----	1	
LD1280-0A	內壓腳連桿 ----- Walking Presser Foot Link -----	1	ZMH05020	螺絲 ----- Screw (M5-0.8x20) -----	1	
LD1283-0A	滾輪軸 ----- Roller Shaft -----	1	ZMH06008	螺絲 ----- Screw (M6-1.0x6) -----	3	
LD1284-0A	滾輪 ----- Roller -----	1	ZMJ05002	螺絲 ----- Screw (M5-0.8x12) -----	4	
LD1286-0A	L 型連桿 ----- Angle Link -----	1	ZMK05032	螺絲 ----- Screw (M5-0.8x21) -----	1	
LD1289-0A	壓腳交替擺臂 --- Presser Driving Arm -----	1	ZML04009	螺帽 ----- Nut -----	1	
LD1290-0A	壓腳變換軸 ----- Presser Driving Shaft -----	1	ZML05002	螺帽 ----- Nut -----	2	
LD1291-0A	上下交換軸套管 Bushing -----	2	ZML06001	螺帽 ----- Nut -----	2	
LD1295-0A	上下交換擺臂 --- Radius Adjusting Lever -----	1	ZML06009	螺帽 ----- Nut -----	1	
LD1296-0A	擺臂長調整銷 --- Radius Setting Pin -----	1	ZSF32001	螺帽 ----- Adjusting Screw -----	1	
OAGM101503	油封 ----- Oil Seal -----	2	ZSG09050	螺絲 ----- Screw (9/64-40x4) -----	1	
RB200100	軸用 C 扣環 ----- C-Ring -----	1	ZSN32001	螺帽 ----- Nut -----	1	

F. CS-8910N 搖臂軸機構 SWINGING SHAFT MECHANISM

零件號碼 Part No.	零件名稱 Name of Part	件數 Q'TY	零件號碼 Part No.	零件名稱 Name of Part	件數 Q'TY	備註 Remarks
BB628ZZ	軸承 ----- Bearing -----	2	RA100280	孔用 C 扣環 --- C-ring -----	1	
BB6902ZZ	軸承 ----- Bearing -----	1	WA050035	平墊圈 ----- Washer -----	1	
BB6905ZZ	軸承 ----- Bearing -----	2	WA060004	平墊圈 ----- Washer -----	2	
BB7006A	軸承 ----- Bearing -----	2	WH208015	墊圈 ----- Washer -----	1	
LD4011-0A	齒輪箱下軸 ----- Gear Box Upper Shaft -----	1	WH208016	墊圈 ----- Washer -----	1	
LD4014-0A	齒輪箱蓋 ----- Gear Box Cover -----	1	YA050150	銷 ----- Pin -----	2	
LD4021-0A	齒輪軸皮帶輪 --- Gear Shaft Pulley -----	1	YA050198	銷 ----- Pin -----	2	
LD4023-0A	齒輪墊片 ----- Gear Spacer -----	2	YA060272	銷 ----- Pin -----	2	
LD4025-0A	橢圓形齒輪(下) -- Elliptical Gear (Lower) -----	1	ZMC03004	螺絲 ----- Screw (M3-0.5x6) -----	4	
LD4026-0A	橢圓形齒輪(上) -- Elliptical Gear (Upper) -----	1	ZMC06013	螺絲 ----- Screw (M6-1.0x14) -----	1	
LD4212-0A	齒輪箱上軸 ----- Gear Box Lower Shaft -----	1	ZMH06004	螺絲 ----- Screw (M6-1.0x10) -----	2	
LD4213-0A	齒輪箱 ----- Gear Box -----	1	ZMJ04005	螺絲 ----- Screw (M4-0.7x12) -----	4	
LD6200-0A	搖臂固定架 ----- Swing Arm Bracket -----	1	ZMJ04027	螺絲 ----- Screw (M4-0.7x12) -----	4	
LD6201-0A	搖臂軸 ----- Swing Arm Shaft -----	1	ZMJ05002	螺絲 ----- Screw (M5-0.8x12) -----	1	
LD6210-0A	搖臂固定軸 ----- Swing Arm Shaft -----	1	ZMJ05007	螺絲 ----- Screw (M5-0.8x16) -----	4	
LD6211-0A	軸承壓板 ----- Bearing Clamp -----	1	ZMJ06004	螺絲 ----- Screw (M6-1.0x20) -----	3	
LD6212-0A	定位皮帶輪 ----- Positioning Pulley -----	1	ZMJ06005	螺絲 ----- Screw (M6-1.0x40) -----	2	
LD6213-0A	齒形皮帶 ----- Timing Belt -----	1	ZMJ08007	螺絲 ----- Screw (M8-1.25x20) -----	4	
LD6214-0A	齒型皮帶擋板 --- Timing Belt Place -----	1	ZSH20002	螺絲 ----- Screw (5/16-24x10) -----	3	
LD6215-0A	皮帶輪壓板 ----- Pulley Clamp -----	1				
LD6321-0A	下軸皮帶輪 ----- Lower Shaft Pulley -----	1				
LD6322-0A	齒形皮帶 ----- Timing Belt -----	1				
LD6325-0A	軸承隔環 ----- Washer -----	1				

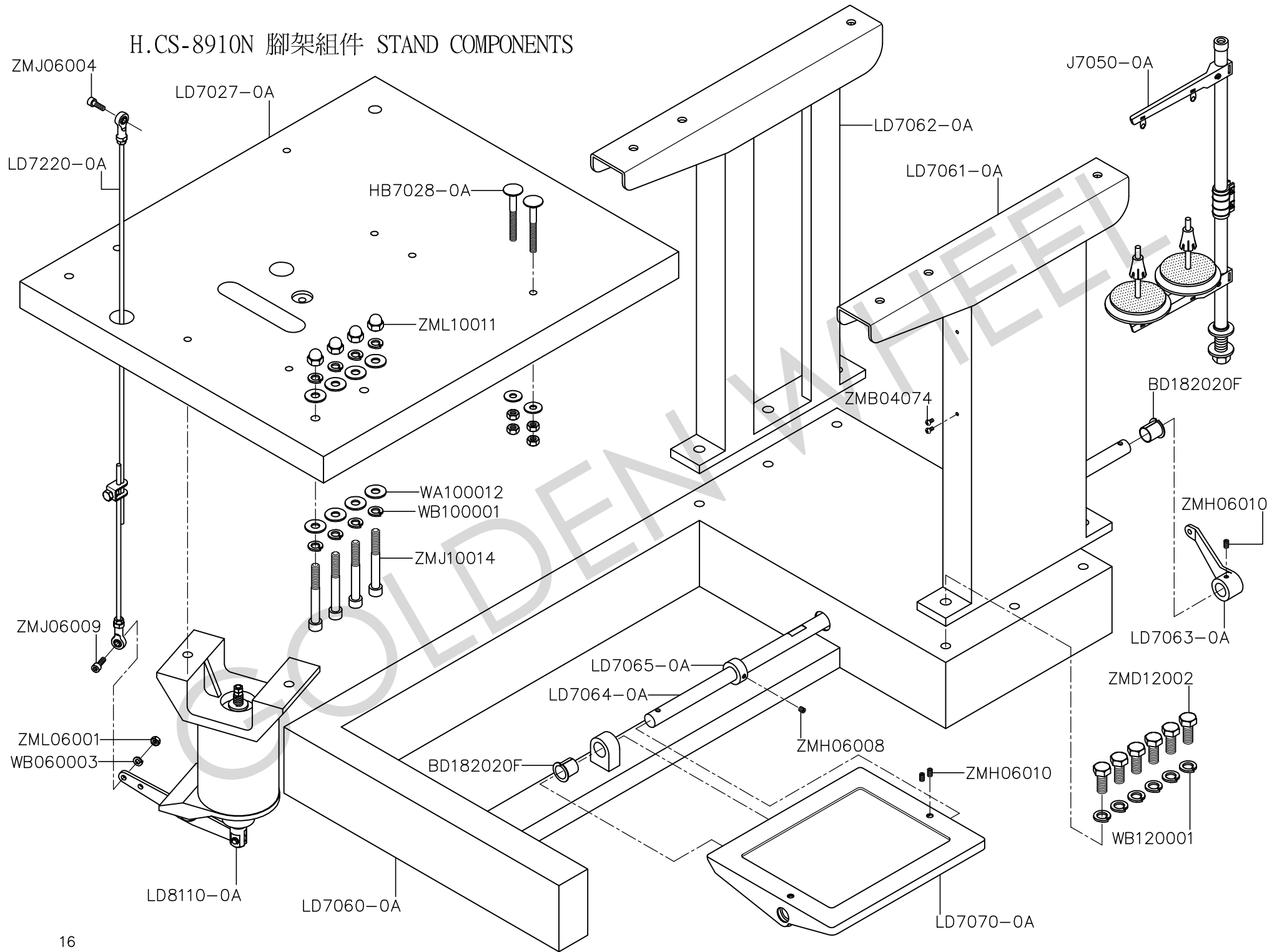
G.CS-8910N 梭頭定位機構 HOOK POSITIONING MECHANISM



G. CS-8910N 梭頭定位機構 HOOK POSITIONING MECHANISM

零件號碼 Part No.	零件名稱	Name of Part	件數 Q'TY	零件號碼 Part No.	零件名稱	Name of Part	件數 Q'TY	備註 Remarks
BB6804ZZNR	軸承	Bearing	1	LD6243-0A	中間齒輪	Middle Gear	1	
BB6806ZZ	軸承	Bearing	1	LD6243-1A	中間齒輪	Middle Gear	1	
BNHK0709	滾針軸承	Needle Bearing	3	LD6244-0A	鏈條	Chain	3	
LD6050-0A	針板	Needle Plate	1	LD6244-1A	鏈條	Chain	3	
LD6050-0B	針板	Needle Plate	1	LD6245-0A	梭頭支座	Hook Housing	1	
LD6101-0A	旋梭組	Rotary Hook Asm.	1	LD6245-0B	梭頭支座	Hook Housing	1	
LD6101-0B	旋梭組	Rotary Hook Asm.	1	LD6246-0A	鏈輪軸套	Chain Bushing	1	
LD6101-1A	旋梭	Rotary Hook	1	LD6247-0A	鏈輪軸	Chain Shaft	1	
LD6101-1B	旋梭	Rotary Hook	1	LD6248-0A	旋梭蓋	Hook Housing Cover	1	
LD6101-2A	壓縮彈簧	Spring	1	LD6248-0B	旋梭蓋	Hook Housing Cover	1	
LD6101-3A	梭子彈片	Bobbin Spring	1	LD6306-0A	鉤線器齒輪組	Looper Gear Asm.	1	
LD6102-0A	旋梭承環	Rotary Hook Race	1	LD6306-1A	鉤線器齒輪組	Looper Gear Asm.	1	
LD6102-0B	旋梭承環	Rotary Hook Race	1	LD6323-0A	萬向軸皮帶輪(下)	Universal Shaft Pulley (Lower)	1	
LD6105-0A	梭殼組(M)	Bobbin Case Asm. (M)	1	LD6330-0A	皮帶輪調整座	Pulley Adjusting Seat	1	
LD6105-0B	梭殼組(S)	Bobbin Case Asm. (S)	1	LD6331-0A	軸承蓋	Bearing Cover	1	
LD6105-1A	梭殼	Bobbin Case	1	LD6335-0A	萬向接頭(上)	Universal Joint (Upper)	1	
LD6105-1B	梭殼	Bobbin Case	1	LD6355-0A	萬向連接軸(上)	Universal Joint Shaft (Upper)	1	
LD6105-2A	梭殼軸心	Bobbin Case Shaft	1	LD6355-1A	萬向連接軸(上)	Universal Joint Shaft (Upper)	1	
LD6105-2B	梭殼軸心	Bobbin Case Shaft	1	LD7006-0A	梭子	Bobbin	1	
LD6105-3A	壓線套環	Presser Ring	1	LD7006-0B	梭子	Bobbin	1	
LD6105-4A	彈簧座圈	Spring Seat	1	OBM00030	鋼球	Ball	1	
LD6105-5A	壓縮彈簧	Spring	1	WA060020	平墊圈	Washer	4	
LD6217-0A	萬向軸皮帶輪(下)	Universal Shaft Pulley (Lower)	1	WB061001	彈簧墊圈	Spring Washer	4	
LD6218-0A	齒輪	Gear	1	YA020118	銷	Pin	1	
LD6220-0A	皮帶輪調整座	Pulley Adjusting Seat	1	YA020132	銷	Pin	1	
LD6221-0A	軸承蓋	Bearing Cover	1	YA030147	銷	Pin	1	
LD6222-0A	齒輪蓋	Gear Cover	1	YA030298	銷	Pin	1	
LD6225-0A	萬向接頭(下)	Universal Joint (Lower)	1	YA050106	銷	Pin	1	
LD6235-0A	萬向連接軸(下)	Universal Joint Shaft (Lower)	1	ZMC03019	螺絲	Screw (M3-0.5x5.8)	2	
LD6235-1A	萬向連接軸(下)	Universal Joint Shaft (Lower)	1	ZMC05009	螺絲	Screw (M5-0.8x11)	2	
LD6241-0A	定位齒輪組	Position Gear Asm.	1	ZMH03002	螺絲	Screw (M3-0.5x3)	1	
LD6241-1A	定位齒輪	Position Gear	1	ZMH04002	螺絲	Screw (M4-0.7x3)	1	
LD6241-2A	定位齒輪組	Position Gear Asm.	1	ZMJ03010	螺絲	Screw (M3-0.5x6)	8	
LD6241-3A	定位齒輪	Position Gear	1	ZMJ05008	螺絲	Screw (M5-0.8x10)	2	
LD6242-0A	定位環齒輪	Position Gear	1	ZMJ06004	螺絲	Screw (M6-1.0x20)	4	
LD6242-1A	定位環齒輪	Position Gear	1	ZSH16020	螺絲	Screw (1/4-40x5)	4	

H.CS-8910N 腳架組件 STAND COMPONENTS



H. CS-8910N 腳架組件 STAND COMPONENTS

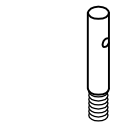
零件號碼 Part No.	零件名稱 Name of Part	件數 Q'TY	零件號碼 Part No.	零件名稱 Name of Part	件數 Q'TY	備註 Remarks
BD182020F	乾軸承 ----- DU Bushing -----	2				
HB7028-0A	馬車螺絲組 ----- Mounting Bolt -----	2				
J7050-0A	線架 ----- Thread Stand -----	1				
LD7027-0A	車板 ----- Table -----	1				
LD7060-0A	腳架底座 ----- Scaffold Seat -----	1				
LD7061-0A	腳架(前) ----- Scaffold (Front) -----	1				
LD7062-0A	腳架(後) ----- Scaffold (Rear) -----	1				
LD7063-0A	拉桿臂 ----- Connecting Arm -----	1				
LD7064-0A	踏板軸 ----- Pedal Shaft -----	1				
LD7065-0A	定環 ----- Collar -----	1				
LD7070-0A	腳踏板 ----- Pedal -----	1				
LD7220-0A	拉桿組 ----- Connecting Rod Arm. -----	1				
LD8110-0A	抬壓腳電磁鐵 --- Presser Lifting Electromagnet -----	1				
WA100012	墊圈 ----- Washer -----	8				
WB060003	彈簧墊圈 ----- Spring Washer -----	1				
WB100001	彈簧墊圈 ----- Spring Washer -----	8				
WB120001	彈簧墊圈 ----- Spring Washer -----	6				
ZMB04074	螺絲 ----- Screw (M4-0.5x8) -----	2				
ZMD12002	螺絲 ----- Screw (M12x1.75x30) -----	6				
ZMH06008	螺絲 ----- Screw (M6-1.0x6) -----	1				
ZMH06010	螺絲 ----- Screw (M6-1.0x10) -----	3				
ZMJ06004	螺絲 ----- Screw (M6-1.0x20) -----	1				
ZMJ06009	螺絲 ----- Screw (M6-1.0x18) -----	1				
ZMJ10014	螺絲 ----- Screw (M10-1.5x85) -----	4				
ZML06001	螺帽 ----- Nut -----	1				
ZML10011	螺帽 ----- Nut -----	4				

I.CS-8910N 附件 ACCESSORIES



GOLDEN WHEEL

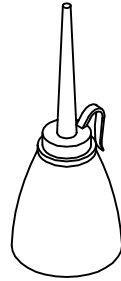
4710910900



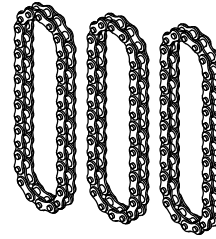
LD1050-0A



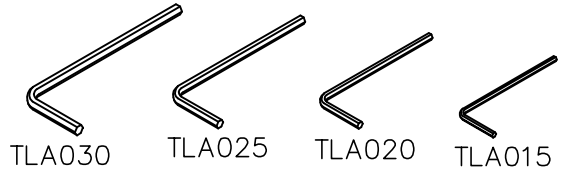
ZML06002



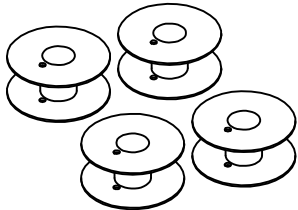
A7012-1A



LD6244-0A(L)
LD6244-1A(M)



TLA030 TLA025 TLA020 TLA015



LD7006-0A(L)
LD7006-0B(M)



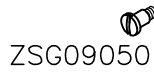
INCPx5#27



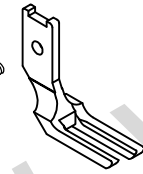
ZMC03019



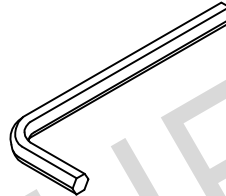
LD6101-3A



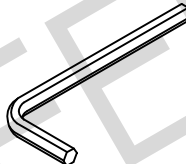
ZSG09050



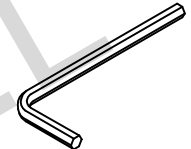
LD1235-1A



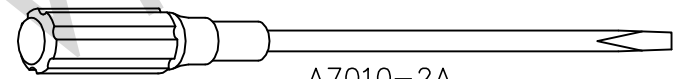
TLA060



TLA050

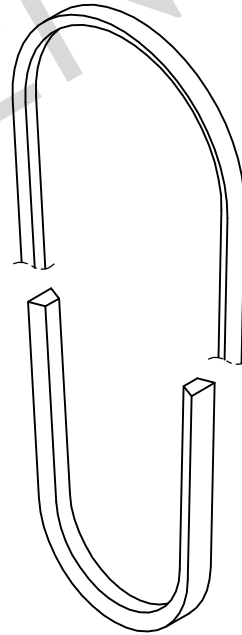
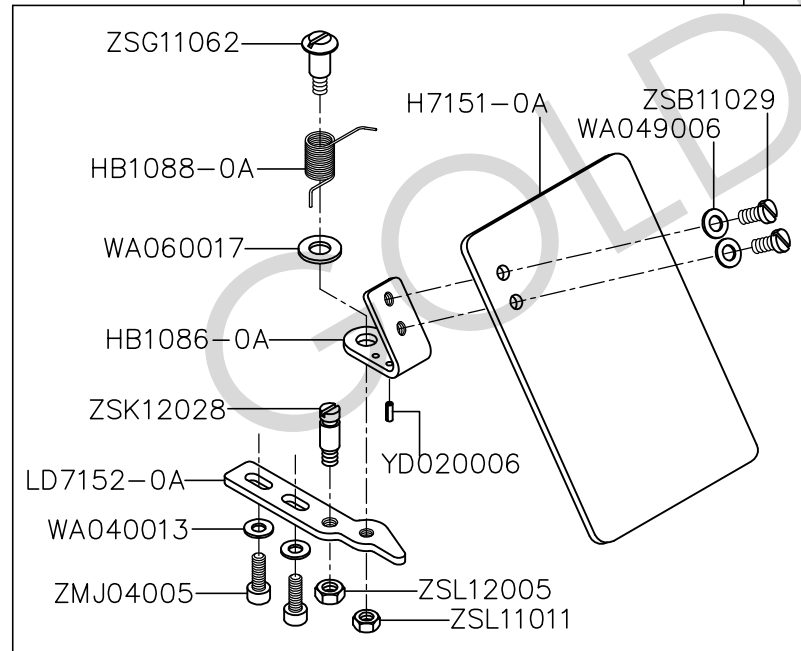


TLA040

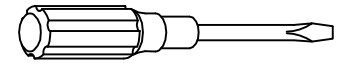


A7010-2A

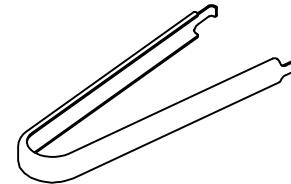
LD7150-0A



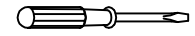
OVM-65



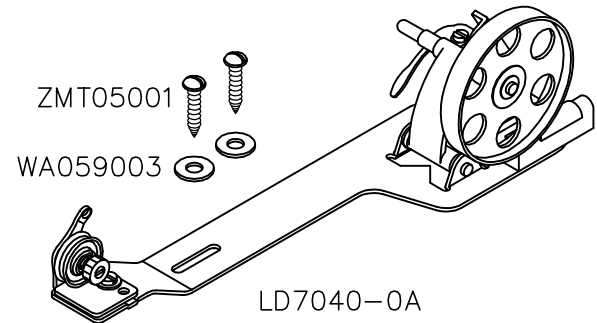
A7010-1A



LD7014-0A



A7010-0A



ZMT05001

WA059003

LD7040-0A

I. CS-8910N 附件 ACCESSORIES

零件號碼 Part No.	零件名稱	Name of Part	件數 Q'TY	零件號碼 Part No.	零件名稱	Name of Part	件數 Q'TY	備註 Remarks
4710910900	防塵蓋	Vinyl Cover	1	TLA025	內六角板手(2.5mm)	Hexagonal Wrench(2.5mm)	1	
A7010-0A	螺絲起子(小)	Screw Driver (Small)	1	TLA030	內六角板手(3.0mm)	Hexagonal Wrench(3.0mm)	1	
A7010-1A	螺絲起子(中)	Screw Driver (Medium)	1	TLA040	內六角板手(4.0mm)	Hexagonal Wrench(4.0mm)	1	
A7010-2A	螺絲起子(大)	Screw Driver (Large)	1	TLA050	內六角板手(5.0mm)	Hexagonal Wrench(5.0mm)	1	
A7012-1A	油壺(小)	Oilier (Small)	1	TLA060	內六角板手(6.0mm)	Hexagonal Wrench(6.0mm)	1	
H7151-0A	護目鏡	Safety Glass	1	WA040013	墊圈	Washer	2	
HB1086-0A	固定板	Safety Glass mounting Plate	1	WA049006	墊圈	Washer	2	
HB1088-0A	扭力彈簧	Torsion Spring	1	WA059003	墊圈	Washer	2	
INCPx5#27	針	Needle	1	WA060017	墊圈	Washer	1	
LD1050-0A	線柱	Thread Guide	1	YD020006	彈簧銷	Spring Pin	1	
LD1235-1A	外壓腳	Outer Presser Foot	1	ZMC03019	螺絲	Screw (M3-0.5x5.8)	2	
LD6101-3A	梭子彈片	Bobbin Spring	2	ZMJ04005	螺絲	Screw (M4-0.7x6)	2	
LD6224-0A	鏈條	Chain	3	ZML06002	螺帽	Nut	1	
LD6224-1A	鏈條	Chain	3	ZMT05001	木螺絲	Wood Screw	2	
LD7006-0A	梭子	Bobbin	1	ZSB11029	螺絲	Screw (11/64-40x7)	2	
LD7006-0B	梭子	Bobbin	1	ZSG09050	螺絲	Screw (9/64-40x4)	1	
LD7014-0A	梭殼取出夾	Tweezers	1	ZSG11062	螺絲	Screw (11/64-40x7)	1	
LD7040-0A	捲線器組	Bobbin Winder	1	ZSK12028	螺絲	Screw (3/16-28x4.5)	1	
LD7150-0A	安全鏡片組	Safety Glass Asm.	1	ZSL11011	螺帽	Nut	1	
LD7152-0A	安全鏡片固定板	Safety Glass	1	ZSL12005	螺帽	Nut	1	
OVM-65	皮帶	Belt	1					
TLA015	內六角板手(1.5mm)	Hexagonal Wrench(1.5mm)	1					
TLA020	內六角板手(2.0mm)	Hexagonal Wrench(2.0mm)	1					

CS-8910N 零件號碼與頁數對照 NUMERICAL PARTS-LIST

零件號碼 PARTS NO.	頁數 PAGE	零件號碼 PARTS NO.	頁數 PAGE	零件號碼 PARTS NO.	頁數 PAGE	零件號碼 PARTS NO.	頁數 PAGE	零件號碼 PARTS NO.	頁數 PAGE
4710161200	6	C1041-0A	8	LD1103-0A	4	LD1285-0A	6	LD4021-0A	12
4710161600	6	C1052-0A	8	LD1105-0A	4	LD1286-0A	10	LD4023-0A	12
4710161900	6	EJ1021-1A	8	LD1106-0A	4	LD1289-0A	10	LD4025-0A	12
4710162000	6	EJ1026-4A	8	LD1107-0A	6	LD1290-0A	10	LD4026-0A	12
4710910900	18	EJ1028-0A	8	LD1116-0A	4	LD1291-0A	10	LD4068-0A	2
8233312200	8	EJ1037-0A	8	LD1121-0A	4	LD1295-0A	10	LD4082-0A	2
A1024-1A	8	EJ1287-0A	10	LD1122-0A	6	LD1296-0A	10	LD4212-0A	12
A1026-1A	8	H7151-0A	18	LD1123-0A	6	LD1297-0A	4	LD4213-0A	12
A1030-0A	8	HB1086-0A	18	LD1124-0A	6	LD1298-0A	4	LD6050-0A	14
A1031-0A	8	HB1088-0A	18	LD1125-0A	6	LD1319-0A	4	LD6050-0B	14
A1032-0A	8	HB7028-0A	16	LD1127-0A	6	LD1320-0A	4	LD6101-0A	14
A1033-0A	8	INCPx5#27	6,18	LD1130-0A	6	LD1322-0A	4	LD6101-0B	14
A1034-0A	8	J1055-0A	8	LD1132-0A	6	LD1330-0A	6	LD6101-1A	14
A1035-0A	8	J7050-0A	16	LD1133-0A	6	LD1331-0A	6	LD6101-1B	14
A1036-0A	8	LD1000-0A	2	LD1161-0A	6	LD1332-0A	6	LD6101-2A	14
A1038-0A	8	LD1005-0A	2	LD1166-0A	6	LD1334-0A	6	LD6101-3A	14,18
A1061-0A	6	LD1010-0A	2	LD1172-0A	2	LD1341-0A	6	LD6102-0A	14
A1130-0A	4	LD1012-0A	2	LD1180-0A	10	LD1343-0A	6	LD6102-0B	14
A7010-0A	18	LD1013-0A	2	LD1184-0A	10	LD1481-0A	8	LD6105-0A	14
A7010-1A	18	LD1020-0A	8	LD1189-0A	10	LD1482-0A	8	LD6105-0B	14
A7010-2A	18	LD1025-0A	8	LD1191-0A	10	LD1484-0A	8	LD6105-1A	14
A7012-1A	18	LD1027-0A	8	LD1192-0A	10	LD1485-0A	8	LD6105-1B	14
B1333-0A	6	LD1050-0A	18	LD1200-0A	10	LD1486-0A	8	LD6105-2A	14
BB6003ZZ	4	LD1051-0A	2	LD1207-0A	10	LD1487-0A	8	LD6105-2B	14
BB6003ZZNR	4	LD1060-0A	6	LD1208-0A	10	LD1488-0A	4	LD6105-3A	14
BB6004ZZNR	4	LD1062-0A	6	LD1233-0A	10	LD1489-0A	8	LD6105-4A	14
BB6203ZZNR	4	LD1063-0A	2	LD1235-0A	10	LD1491-0A	8	LD6105-5A	14
BB624ZZ	8	LD1070-0A	6	LD1235-1A	18	LD1492-0A	8	LD6200-0A	12
BB628ZZ	12	LD1074-0A	6	LD1237-0A	6	LD1820-0A	4	LD6201-0A	12
BB6804ZZNR	14	LD1075-0A	6	LD1272-0A	10	LD1821-0A	4	LD6202-0A	2
BB6806ZZ	14	LD1080-0A	6	LD1277-0A	10	LD1822-0A	4	LD6202-0B	2
BB6902ZZ	12	LD1090-0A	6	LD1278-0A	10	LD1823-0A	4	LD6203-0A	2
BB6905ZZ	12	LD1091-0A	6	LD1279-0A	6	LD1825-0A	4	LD6204-0A	2
BB7006A	12	LD1092-0A	6	LD1280-0A	10	LD4001-0A	2	LD6205-0A	2
BD182020F	16	LD1093-0A	6	LD1281-0A	6	LD4005-0A	2	LD6205-0B	2
BN252913	4	LD1094-0A	6	LD1282-0A	6	LD4006-0A	2	LD6207-0A	2
BNHK0709	14	LD1100-0A	4	LD1283-0A	10	LD4011-0A	12	LD6210-0A	12
BR221310	2	LD1102-0A	4	LD1284-0A	10	LD4014-0A	12	LD6211-0A	12

CS-8910N 零件號碼與頁數對照 NUMERICAL PARTS-LIST

零件號碼 PARTS NO.	頁數 PAGE	零件號碼 PARTS NO.	頁數 PAGE	零件號碼 PARTS NO.	頁數 PAGE	零件號碼 PARTS NO.	頁數 PAGE	零件號碼 PARTS NO.	頁數 PAGE
LD6212-0A	12	LD6335-0A	14	WA030007	6	YA050106	14	ZMH05020	10
LD6213-0A	12	LD6355-0A	14	WA040013	10,18	YA05012A	8	ZMH06002	4
LD6214-0A	12	LD6355-1A	14	WA040025	6	YA050150	12	ZMH06004	12
LD6215-0A	12	LD7006-0A	14,18	WA049006	18	YA050198	12	ZMH06005	4
LD6217-0A	14	LD7006-0B	14,18	WA050035	12	YA060272	12	ZMH06006	8
LD6218-0A	14	LD7014-0A	18	WA059003	18	YA080300A	4	ZMH06008	2,6,10,16
LD6220-0A	14	LD7016-0A	2	WA060004	12	YB040020	6	ZMH06010	6,16
LD6221-0A	14	LD7017-0A	2	WA060017	18	YD020006	18	ZMH08004	4
LD6222-0A	14	LD7024-0A	2	WA060020	14	ZMA04007	8	ZMH08006	4
LD6224-0A	18	LD7027-0A	16	WA069001	10	ZMA05011	10	ZMJ03001	8
LD6224-1A	18	LD7040-0A	18	WA089004	2	ZMA07001	4	ZMJ03010	14
LD6225-0A	14	LD7060-0A	16	WA089008	6	ZMB03051	6	ZMJ04002	6
LD6235-0A	14	LD7061-0A	16	WA100012	16	ZMB04010	10	ZMJ04005	12,18
LD6235-1A	14	LD7062-0A	16	WB060003	16	ZMB04016	8	ZMJ04027	12
LD6241-0A	14	LD7063-0A	16	WB061001	14	ZMB04022	2,8,10	ZMJ05001	8
LD6241-1A	14	LD7064-0A	16	WB081001	2	ZMB04025	10	ZMJ05002	10,12
LD6241-2A	14	LD7065-0A	16	WB100001	2,16	ZMB04031	10	ZMJ05007	12
LD6241-3A	14	LD7070-0A	16	WB120001	16	ZMB04035	10	ZMJ05008	14
LD6242-0A	14	LD7150-0A	18	WC280001	4	ZMB04074	2,16	ZMJ06004	12,14,16
LD6242-1A	14	LD7152-0A	18	WG000006	10	ZMB05012	10	ZMJ06005	12
LD6243-0A	14	LD7220-0A	16	WH208015	12	ZMB06002	2	ZMJ06009	16
LD6243-1A	14	LD8110-0A	16	WH208016	12	ZMB07001	4	ZMJ06025	6
LD6244-0A	14	OAGM101503	10	WH210012	10	ZMC03001	8	ZMJ08006	2
LD6244-1A	14	OBM00030	14	WH225001	4	ZMC03004	2,12	ZMJ08007	12
LD6245-0A	14	OBS00080	6	XA300040	6	ZMC03019	14,18	ZMJ08017	2
LD6245-0B	14	OVM-65	18	XA300050	6	ZMC04001	6	ZMJ10004	2
LD6246-0A	14	RA100280	12	XA400030	6	ZMC05005	10	ZMJ10014	16
LD6247-0A	14	RB200100	10	XA400040	6	ZMC05008	2	ZMK05032	10
LD6248-0A	14	RB200200	4	XB206003	4	ZMC05009	14	ZMK08019	6
LD6248-0B	14	RB200250	4	YA020118	14	ZMC06013	2,12	ZML04006	8
LD6306-0A	14	SEN1050500	2	YA020132	14	ZMD12002	16	ZML04009	10
LD6306-1A	14	TLA015	18	YA020150	8	ZMH03002	8,14	ZML05002	10
LD6321-0A	12	TLA020	18	YA025108	8	ZMH04002	14	ZML06001	2,10,16
LD6322-0A	12	TLA025	18	YA030147	14	ZMH04003	4,6	ZML06002	18
LD6323-0A	14	TLA030	18	YA030298	14	ZMH04018	8	ZML06009	10
LD6325-0A	12	TLA040	18	YA040156	8	ZMH05001	6	ZML10005	2
LD6330-0A	14	TLA050	18	YA040160	10	ZMH05002	10	ZML10011	16
LD6331-0A	14	TLA060	18	YA040600	2	ZMH05003	8	ZMQ04016	2

CS-8910N 零件號碼與頁數對照 NUMERICAL PARTS-LIST

零件號碼 PARTS NO.	頁數 PAGE	零件號碼 PARTS NO.	頁數 PAGE	零件號碼 PARTS NO.	頁數 PAGE	零件號碼 PARTS NO.	頁數 PAGE	零件號碼 PARTS NO.	頁數 PAGE
ZMQ04021	2								
ZMQ05004	2								
ZMQ05006	2								
ZMQ06005	2								
ZMQ08004	2								
ZMT05001	18								
ZSA16021	6								
ZSA16039	6								
ZSB06001	8								
ZSB09005	8								
ZSB09015	6								
ZSB09017	6								
ZSB09032	8								
ZSB09035	6								
ZSB11012	8								
ZSB11021	6								
ZSB11029	18								
ZSB11115	6								
ZSF32001	10								
ZSG09004	8								
ZSG09005	8								
ZSG09050	10,18								
ZSG11062	18								
ZSH16020	14								
ZSH20002	12								
ZSK12028	18								
ZSL09001	8								
ZSL11011	18								
ZSL12005	18								
ZSN16002	8								
ZSN32001	10								